



# Lowriser Low rise platform lift Gate option

# Stannah

### Technical Information

Built in Compliance with BS 6440:2011  
 Safe working load = 300Kg  
 Maximum threshold height = 1000mm  
 Lift speed = 20mm/sec  
 Ramp gradient = 1:6  
 Power supply = 230Vac 50Hz single phase & earth  
 Lift operating voltage = 24Vdc  
 Battery Powered raise and lowering  
 Manual emergency lowering  
 Hydraulic drive  
 Total lift unladen weight = 200Kg  
 Suitable for internal and external use

A turning circle of diameter 1500mm is recommended at the entrance and exit points of the lift.

A minimum of 2m is required above the first floor level.

### UPPER LEVEL GATE OPTION DETAILS

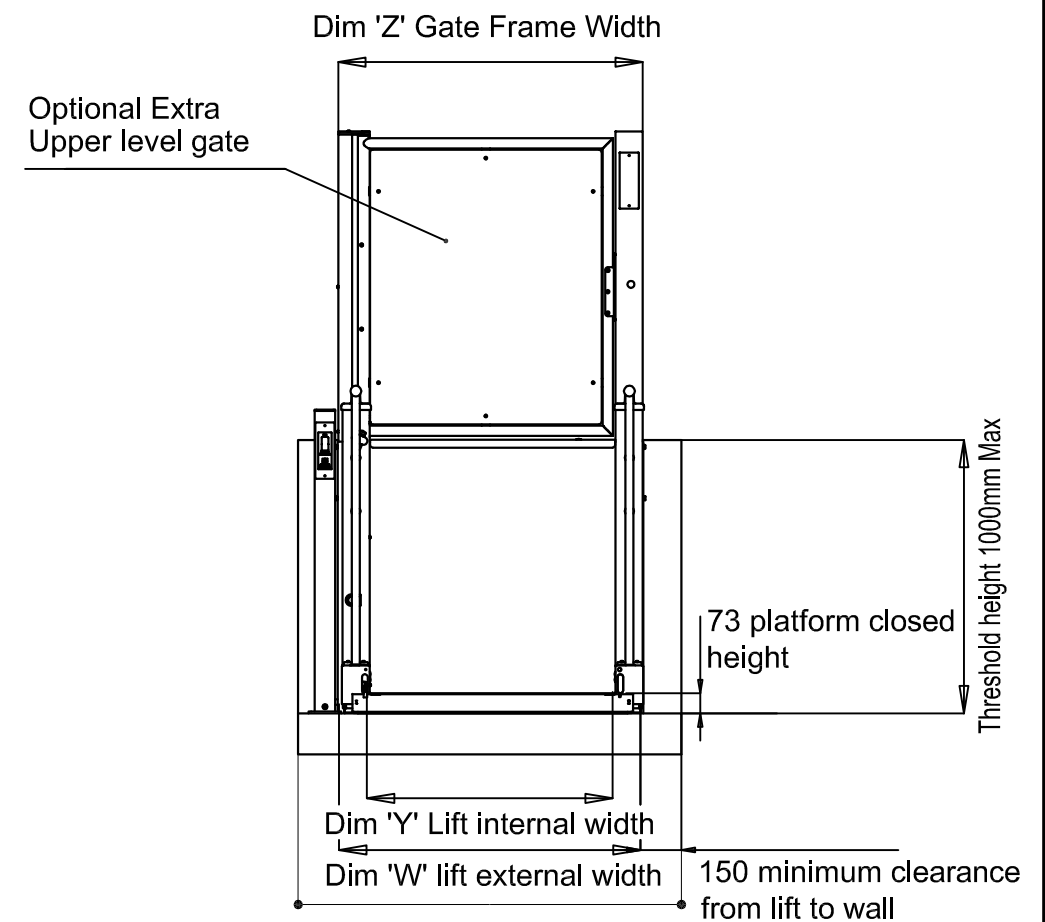
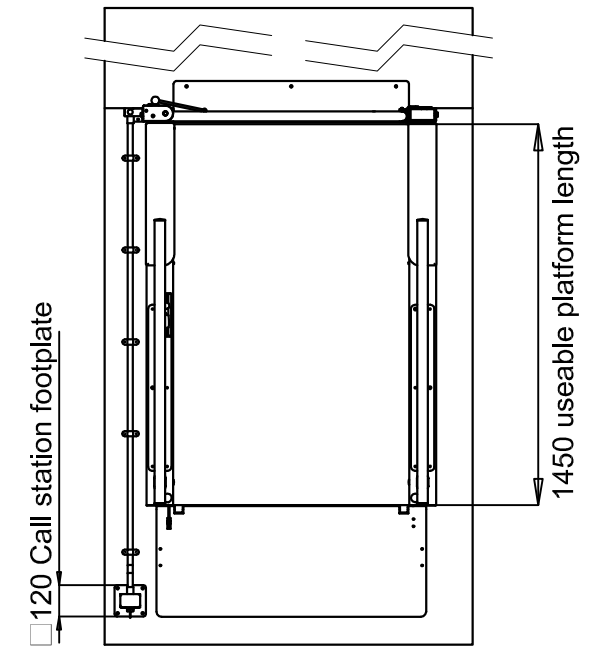
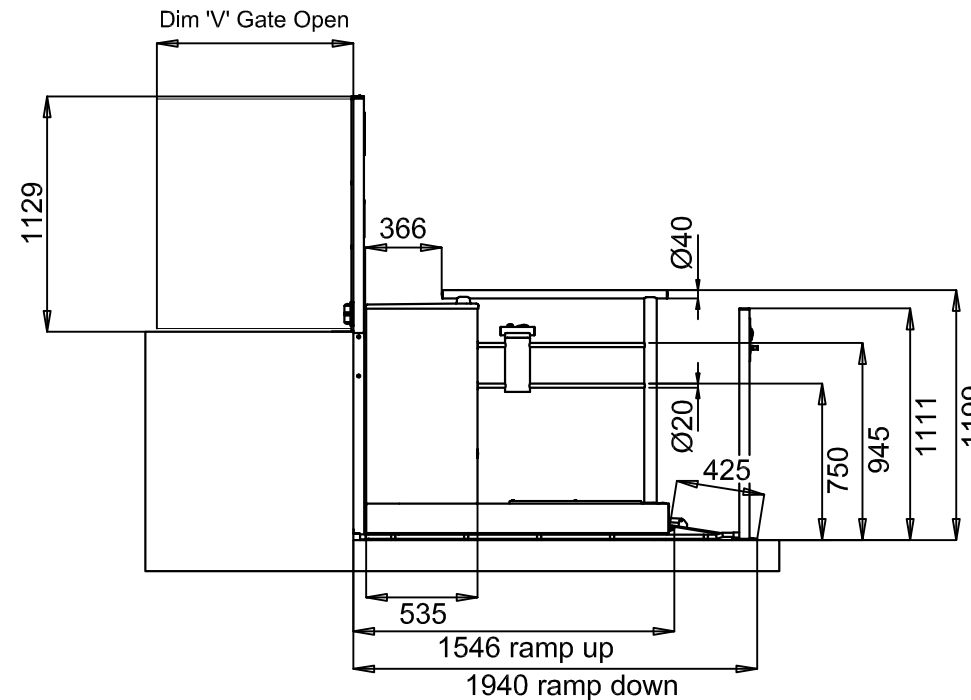
Must have minimum of 250mm threshold height when fitting a gate.

The gate post will house the upper level call controls.

### Please note the following in order to avoid any potential trapping/crushing hazards:

The lift must not be installed any closer than 70mm to any adjacent surface. If the gap between the lift and any adjacent surface is between 70mm and 300mm then the lift must be specified with full height perspex panels on the platform if the adjacent surface is not smooth and continuous and a minimum of 1200mm higher than the upper level landing.

Each site presents different risks which must be assessed and addressed accordingly.



	LR800	LR900	LR1100
Useable Platform Width Dimension 'Y'	800	900	1100
Useable Platform Length	1450	1450	1450
Lift External Width Dimension 'W'	1004	1104	1304
Recommended Minimum Width Dimension 'X'	1304	1404	1604
Absolute Minimum Width	1144	1244	1444
Gate Frame Width Dimension 'Z'	1015	1115	1315
Gate Open Dimension 'V'	844	944	1144

### Waiver:

This data sheet is for guidance only and must not be used for proper working drawings. Please contact Stannah Lifts for particular details before proceeding. Owing to our policy of continual improvement we reserve the right to alter specifications and dimensions without prior notice

Stannah lifts Ltd.  
 Anton Mill, Andover, Hampshire. SP10 2NX  
 Tel: 01264 339090  
 www.stannahlifts.co.uk

Information sheet  
 LR 911  
 Rev D  
 04.02.13